


ZERO S3.S5.S7 Mengotti / Prandina - 1994

Structure

- > *Rosone a soffitto:*
verniciato bianco opaco.
- > *Diffusore:*
vetro soffiato opalino satinato bianco.
- > *Ceiling rosette:*
matt white painted.
- > *Diffuser:*
satin white opal blown glass.
- > *Florón de techo:*
barnizado blanco mate.
- > *Difusor:*
cristal soplado opalino satinado blanco.

Light data



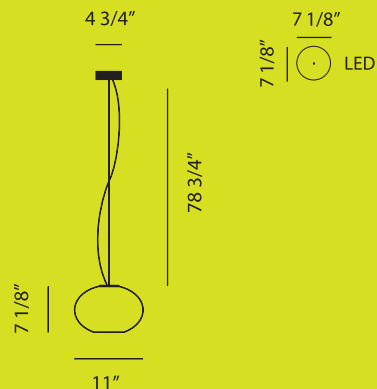
 except for LED versions

 MAX 1x150W Type A-21 E26

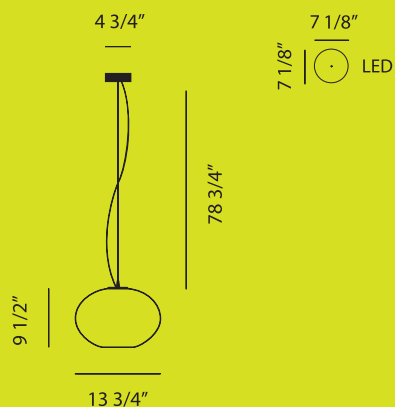
 MAX 1x150W Type T-10 shielded E26

LED 9,6W - 3000K

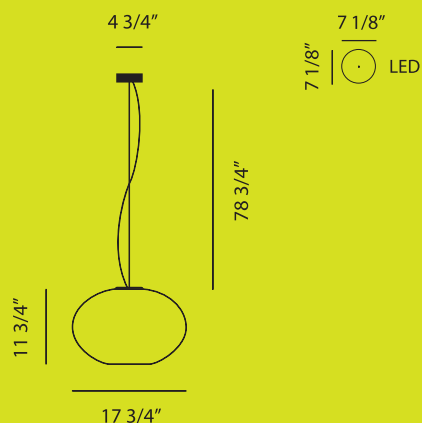
Model S3



Model S5



Model S7



Colors



white