


# OVER S3.S5 Mengotti / Prandina - 2003

## Structure

- > *Rosone a soffitto:*  
verniciato bianco opaco.
- > *Diffusore:*  
vetro soffiato opalino satinato bianco.
- > *Ceiling rose:*  
white painted.
- > *Diffuser:*  
satin white opal blown glass.
- > *Florón de techo:*  
barnizado blanco mate.
- > *Difusor:*  
cristal soplado opalino satinado blanco.

## Light data



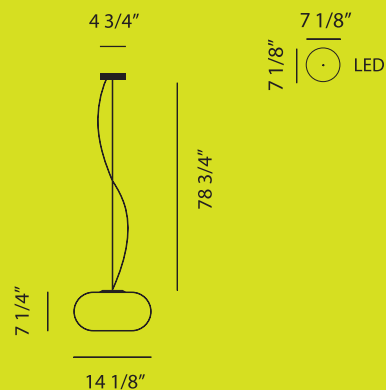
 except for LED versions

 S3.S5 / MAX 1x100W Type A-21 E26

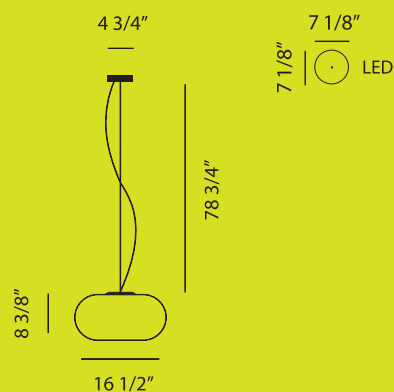
 S3.S5 / MAX 1x150W Type T-10 shielded E26

LED S3.S5 / 9,6W - 3000K

## Model S3



## Model S5



## Colors

