


Structure

- > *Rosone a soffitto:*
verniciato bianco opaco.
- > *Diffusore:*
metallo verniciato.
Sistema di bilanciamento manuale (S1).
- > *Ceiling rose:*
matt white painted.
- > *Diffuser:*
painted metal.
Hand-balancing system (S1).
- > *Florón de techo:*
barnizado blanco mate.
- > *Difusor:*
metal pintado.
Sistema de equilibrio manual (S1).

Light data



 only S3 incandescence and halogen versions

 S1 / MAX 1x75W Type T-4 Shielded G9

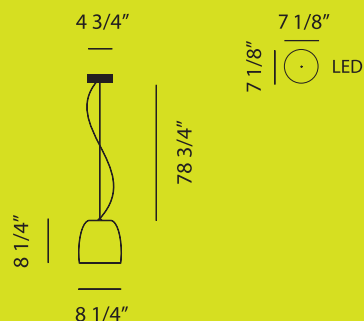
LED S1 / 4,8W - 3000K

 S3 / MAX 1x150W Type A-21 E26

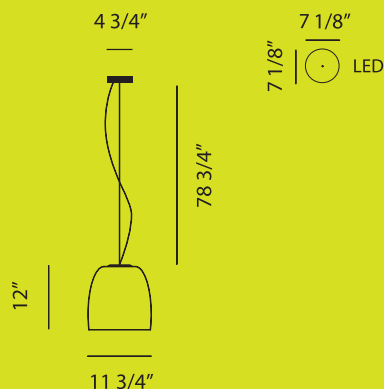
 S3 / MAX 1x150W Type T-10 shielded E26

LED S3 / 9,6W - 3000K

Model S1



Model S3



Colors

-  white / white
-  white / orange
-  white / gold
-  black / white
-  black / gold