

NOTTE S5.S7 Mengotti / Prandina - 2008

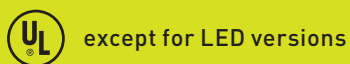
Structure

- > *Rosone a soffitto:*
verniciato bianco opaco.
- > *Diffusore:*
vetro soffiato.
- > *Reattore:*
elettronico.

- > *Ceiling rose:*
white painted.
- > *Diffuser:*
blown glass.
- > *Ballast:*
Electronic.

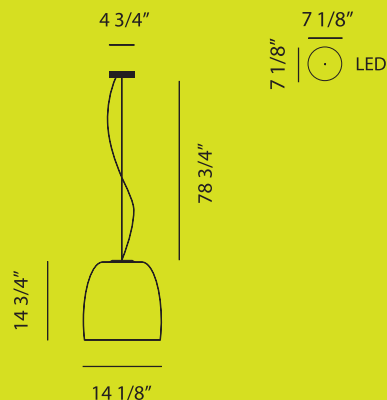
- > *Florón de techo:*
barnizado blanco mate.
- > *Difusor:*
cristal soplado.
- > *Reactór:*
Bobina de reacción.

Light data

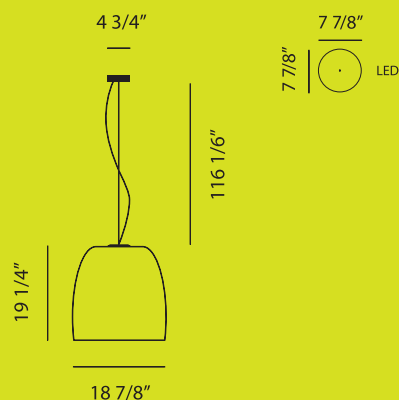


- S5.S7 / MAX 1x150W Type A-21 E26
- S5.S7 / MAX 1x150W Type T-10 shielded E26
- ECO S5 / MAX 1x42W Triple Tube GX24q-4
- ECO S7 / MAX 2x42W Triple Tube GX24q-4
- LED S5 / 9,6W - 3000K
- LED S5 / 14,4W - 3000K

Model S5



Model S7



Colors

- white
- laguna
- mirror / white
- black / gold
- copper / white