

# NOTTE S1.S3 Mengotti / Prandina - 2008

## Structure

- > *Rosone a soffitto:*  
verniciato bianco opaco.
- > *Diffusore:*  
vetro soffiato.  
Sistema di bilanciamento manuale (S1).
- > *Ceiling rose:*  
matt white painted.
- > *Diffuser:*  
blown glass.  
Hand-balancing system (S1).
- > *Florón de techo:*  
barnizado blanco mate.
- > *Difusor:*  
cristal soplado.  
Sistema de equilibrio manual (S1).

## Light data



 only S3 incandescence and halogen versions

 S1 / MAX 1x75W Type T-4 Shielded G9

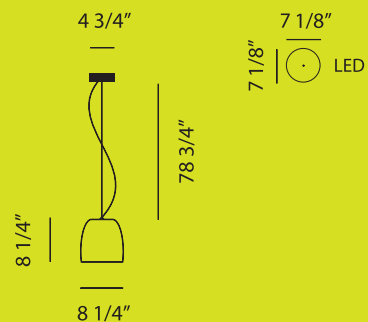
LED S1 / 4,8W - 3000K

 S3 / MAX 1x150W Type A-21 E26

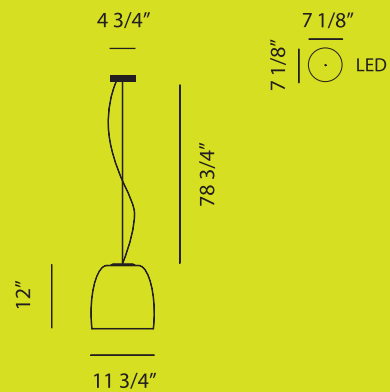
 S3 / MAX 1x150W Type T-10 shielded E26

LED S3 / 9,6W - 3000K

## Model S1



## Model S3



## Colors

-  white
-  laguna
-  mirror / white
-  black / gold
-  copper / white