

MARLENE S1.S3.SMALL S1 Prandina R&D - 2010

Structure

- > *Rosone a soffitto:*
verniciato bianco opaco.
- > *Diffusore:*
vetro soffiato bianco satinato.
- > *Ceiling rose:*
matt white painted.
- > *Diffuser:*
opal white blown glass diffuser.
- > *Florón de techo:*
barnizado blanco mate.
- > *Difusor:*
vidrio soplado blanco satinado.

Light data

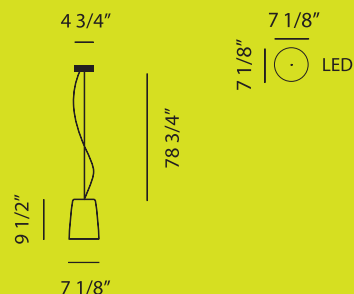


MAX 1x20W Type A-Style E26

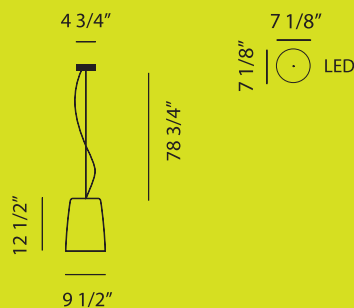
LED SMALL S1.S1 / 4,8W - 3000K

LED S3 / 9,6W - 3000K

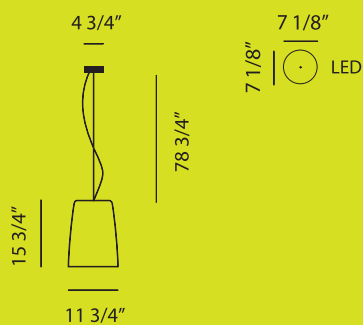
Model SMALL S1



Model S1



Model S3



Colors

